

H9TFE

HYDRAULIC FIXED FLANGE AND
ROTATIONAL LEVELING TOOL

PRODUCT DATA SHEET



ALIGNING FORCE:
9 Ton

KIT COMPONENTS

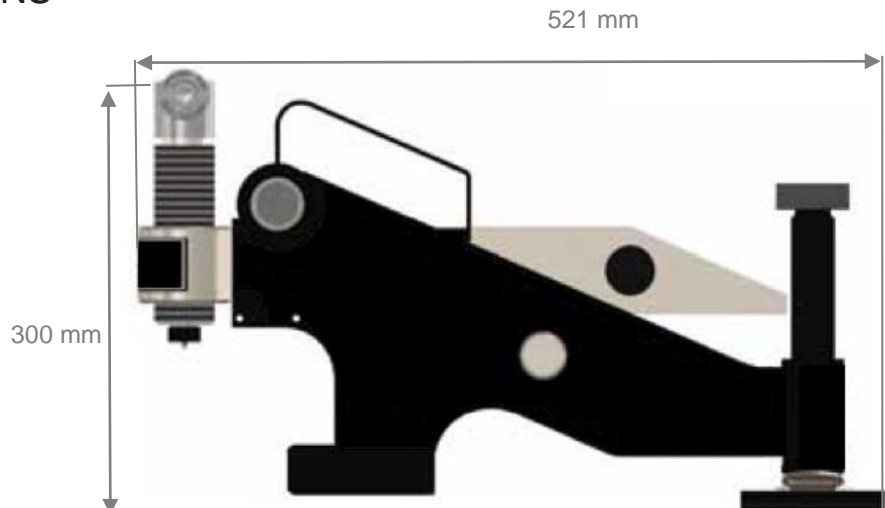
- 1 x H9TFE Tool
- 1 x Ratchet Strap
- 1 x Molding Case

Product Code: H9TFE

TOOL WEIGHT: 14.5 kg

WEIGHTS AND DIMENSIONS

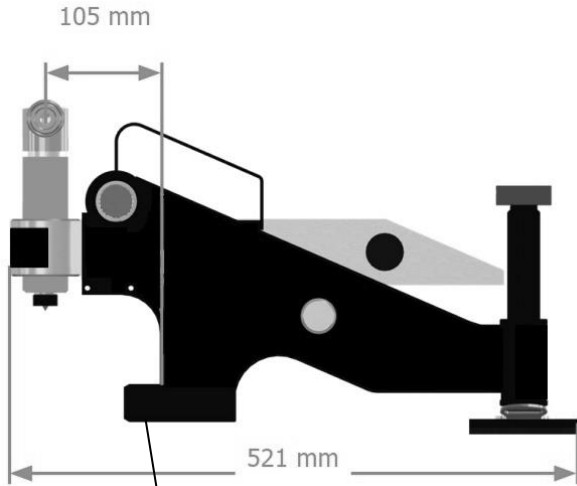
- Tool weight: 14.5 kg
- Molding Case: 2.5 kg
- Gross weight: 17.68 kg
- Molding Case Dimensions:
600 mm x 360 mm x 140 mm



H9TFE

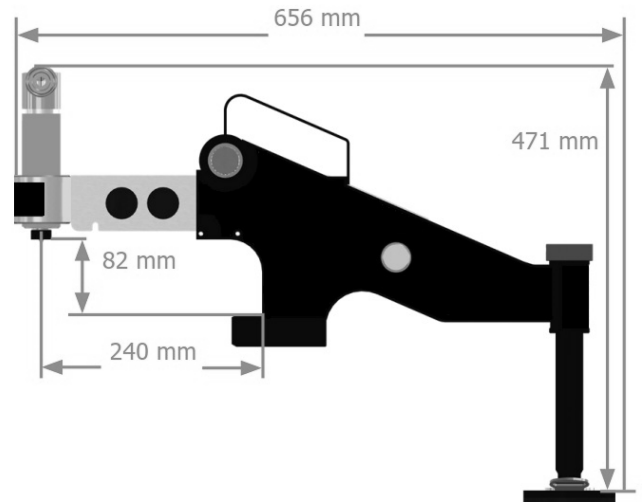
HYDRAULIC FIXED FLANGE AND ROTATIONAL LEVELING TOOL

Minimum Extension



Minimum applicable Bolt Hole Diameter 35.5 mm (1.40")

Maximum Extension



RANGE OF APPLICATION

ASME	150#	36" ~ 48"
	300#	16" ~ 24" & 38" ~ 48"
	400#	12" ~ 24" & 38" ~ 48"
	600#	10" ~ 24" & 38" ~ 48"
	900#	8" ~ 30"
	1500#	5" ~ 20"
	2500#	3" & 4" ~ 12"

For other flange types, please contact the authorized dealers.